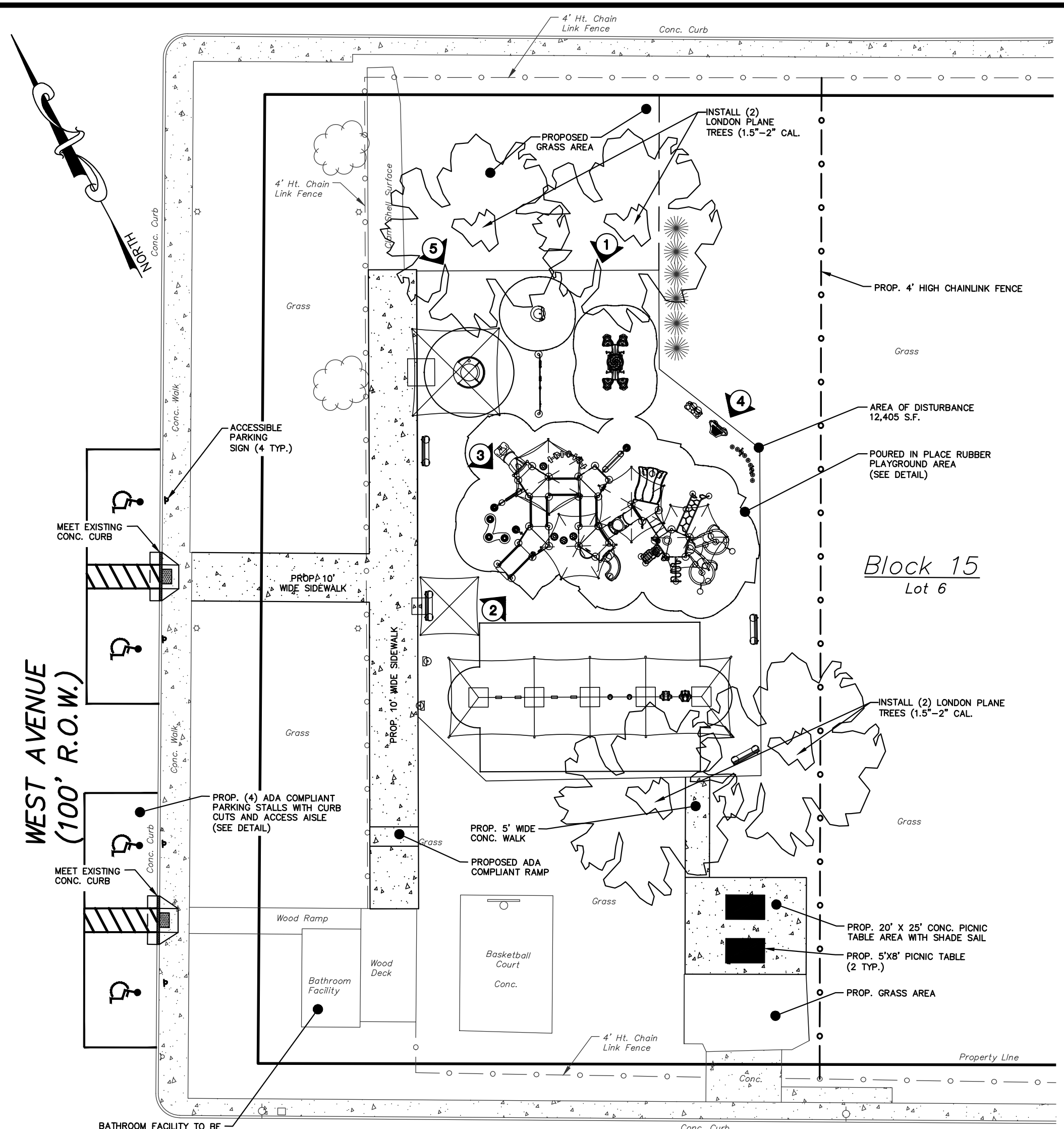


EXISTING CONDITIONS/DEMOLITION PLAN
SCALE: 1"=20'



PLAYGROUND PLAN
SCALE: 1"=20'



PLAYGROUND VIEW #1
SCALE: N.T.S.



PLAYGROUND VIEW #2
SCALE: N.T.S.



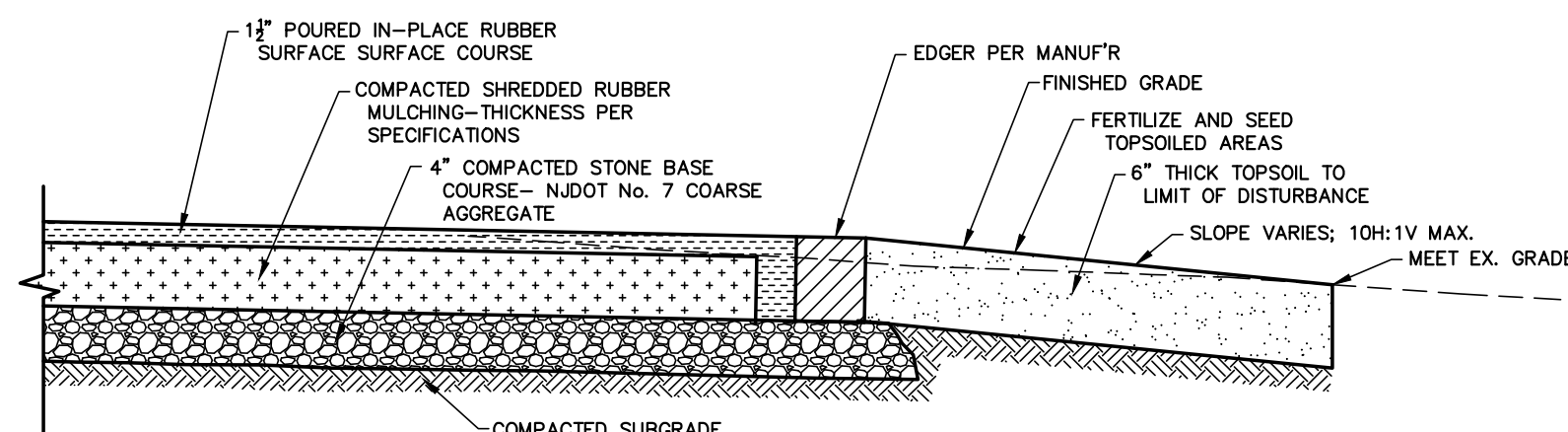
PLAYGROUND VIEW #3
SCALE: N.T.S.



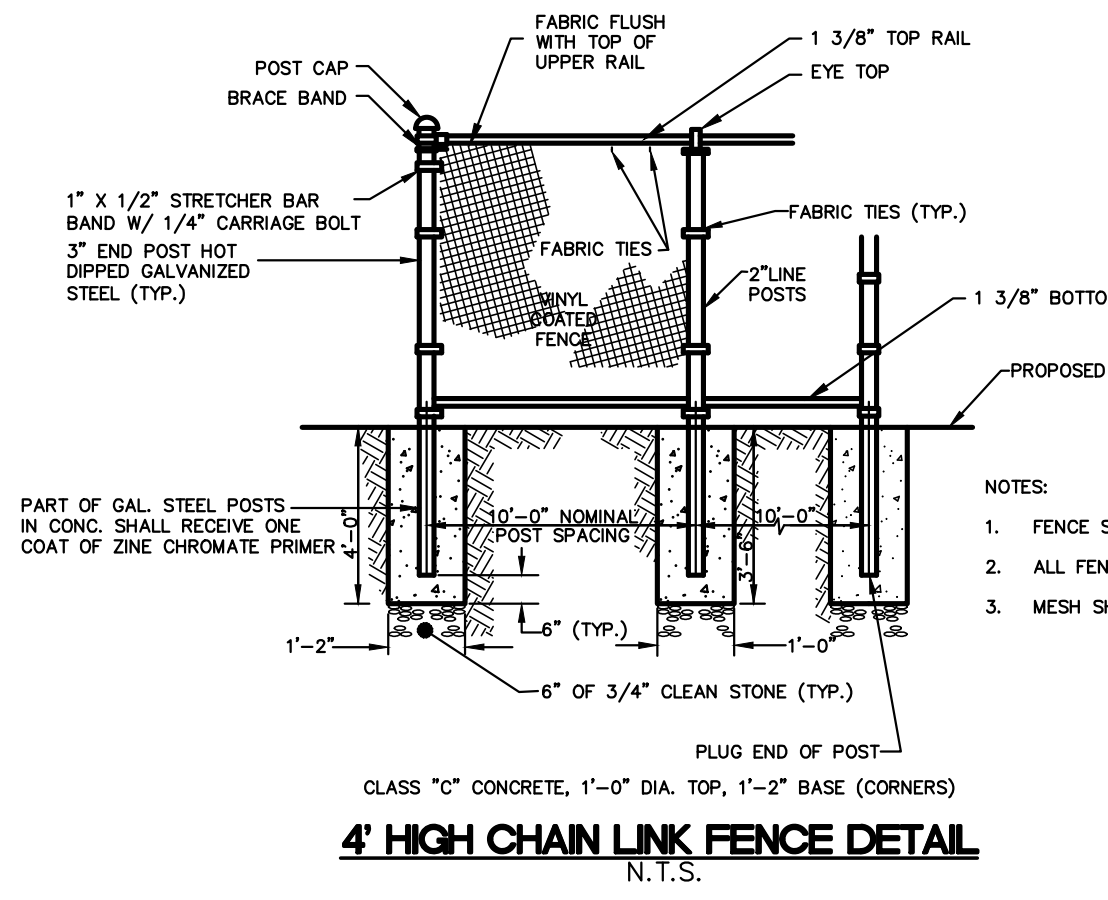
PLAYGROUND VIEW #4
SCALE: N.T.S.



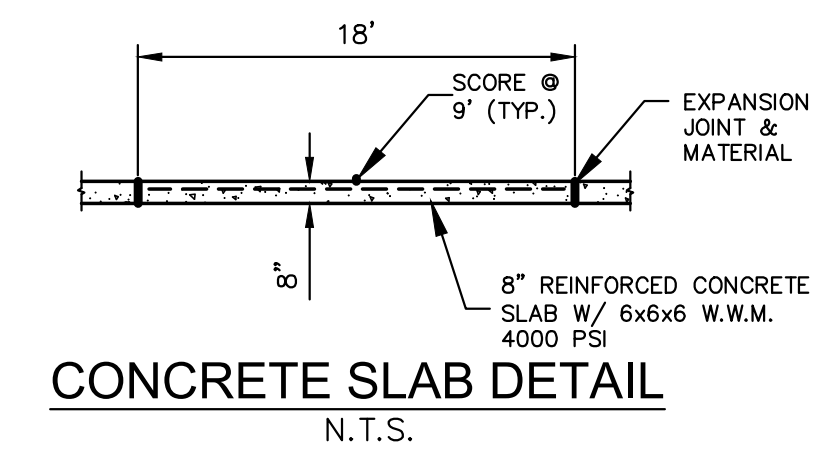
PLAYGROUND VIEW #5
SCALE: N.T.S.



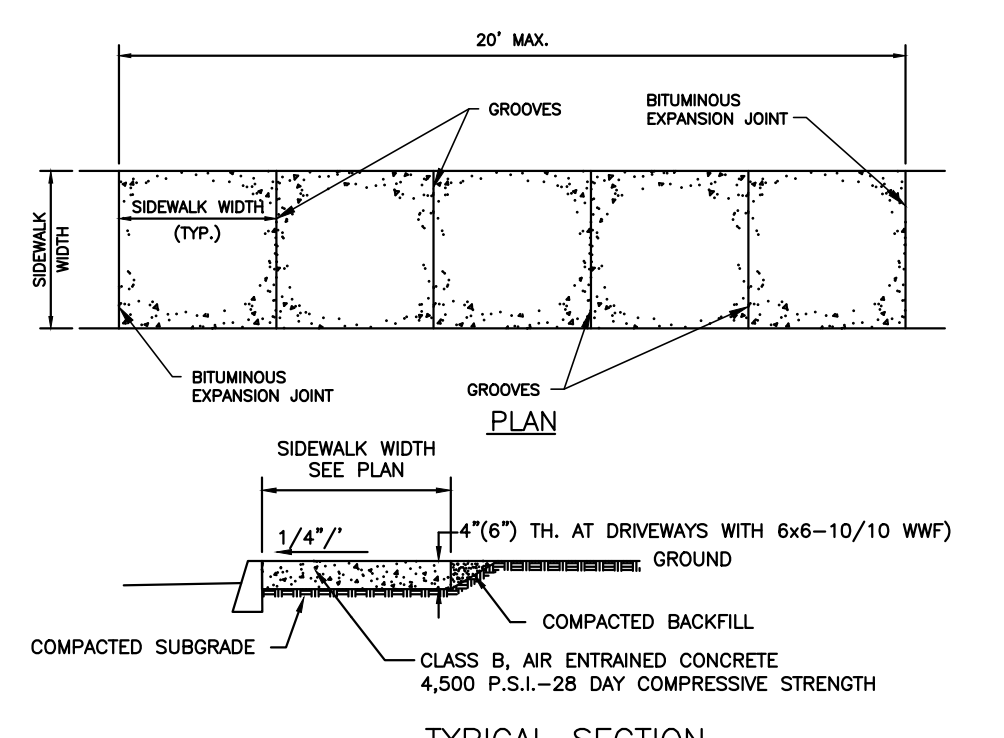
POURED-IN-PLACE RUBBER PLAYGROUND SURFACING
SCALE: N.T.S.



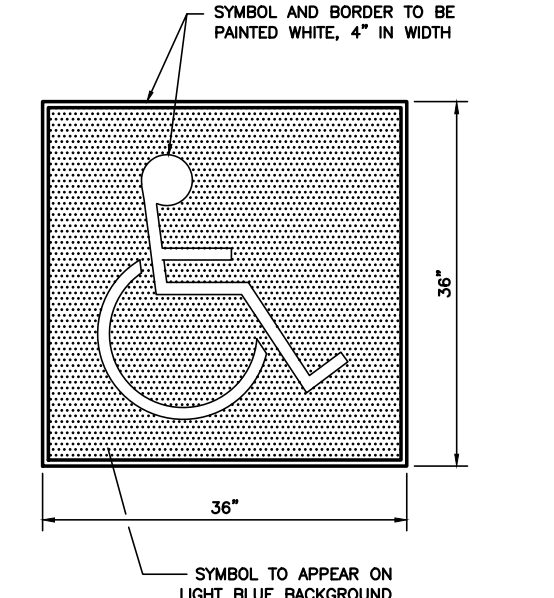
4' HIGH CHAIN LINK FENCE DETAIL
N.T.S.



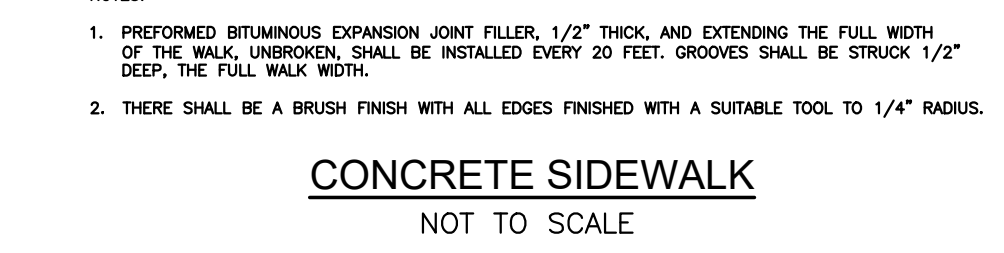
CONCRETE SLAB DETAIL
N.T.S.



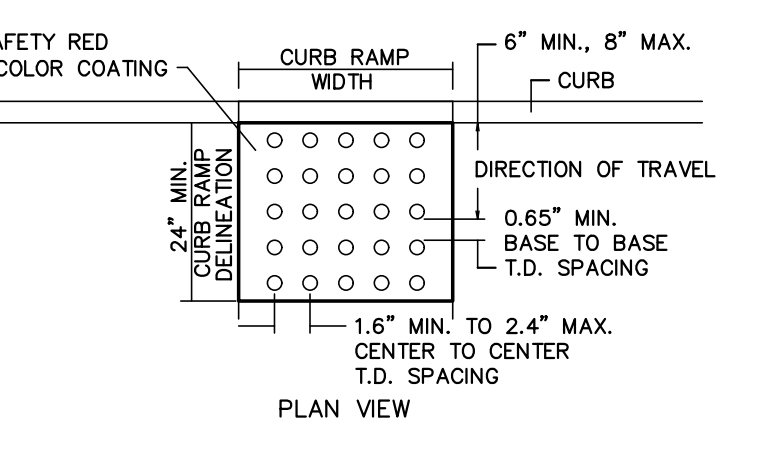
TYPICAL SECTION
NOT TO SCALE



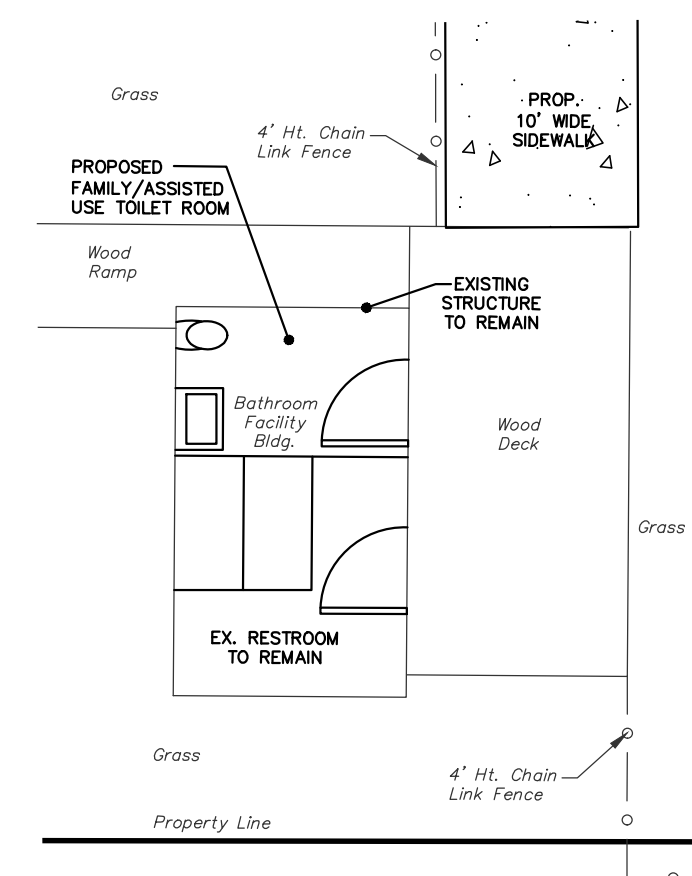
ACCESSIBLE PARKING SYMBOL
N.T.S.



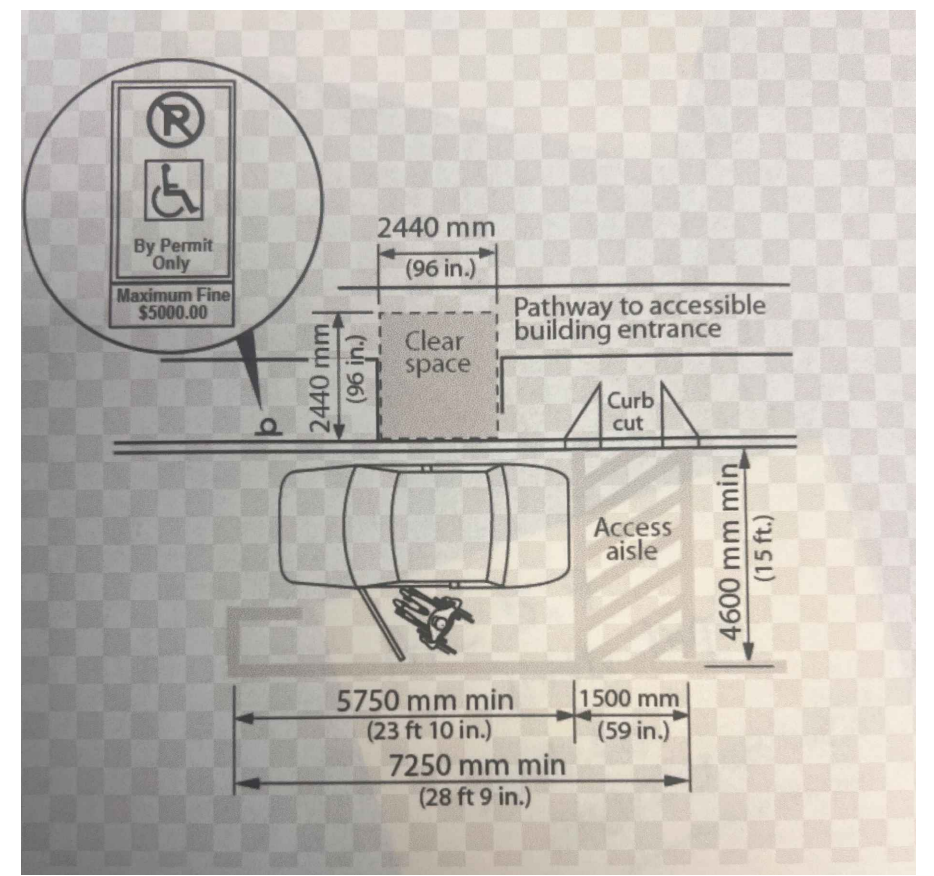
CONCRETE SIDEWALK
NOT TO SCALE



ACCESSIBLE CURB RAMP
DETECTABLE WARNING SURFACE
NOT TO SCALE



PROPOSED INTERIOR BATHROOM RENOVATION
NOT TO SCALE



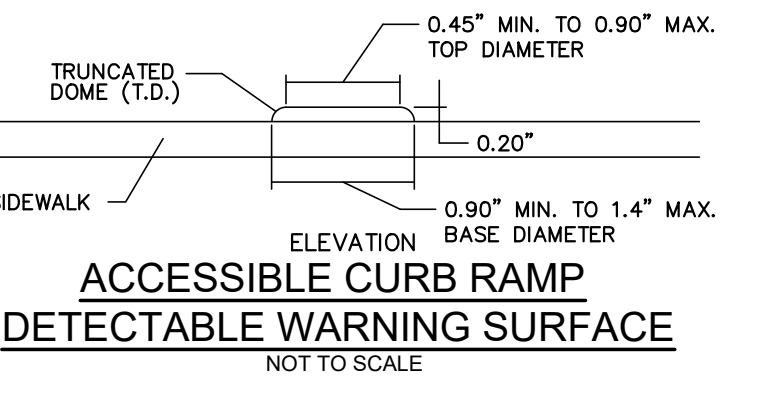
ADA ACCESSIBLE CURB RAMP AND ADA PARKING SPACE
NOT TO SCALE

COPYRIGHT 2020 OWEN, LITTLE & ASSOCIATES, INC. THIS DOCUMENT AND THE IDEAS AND DESIGNS INCORPORATED HEREIN, AS AN INSTRUMENT OF PROFESSIONAL SERVICE, ARE THE PROPERTY OF OWEN, LITTLE & ASSOCIATES, INC., AND ARE NOT TO BE MODIFIED OR ALTERED FOR THE PROJECT, USED IN WHOLE, OR IN PART, FOR ANY OTHER PROJECT WITHOUT THE WRITTEN AUTHORIZATION OF OWEN, LITTLE & ASSOCIATES, INC.

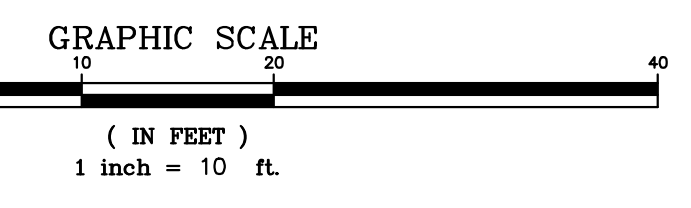
ANY MODIFICATION, ALTERATION, OR USE OF THIS SIGNED AND SEALED PLAN FOR ANY OTHER PROJECT OR FOR INSTITUTING A FIELD CHANGE DURING CONSTRUCTION VOIDS ANY LIABILITY OF OWEN, LITTLE & ASSOCIATES, INC., AND IS ILLEGAL AND PUNISHABLE BY LAW.

TYPICAL SIGN POST
NO SCALE

ACCESSIBLE PARKING SIGN
NO SCALE



ACCESSIBLE CURB RAMP
DETECTABLE WARNING SURFACE
NOT TO SCALE



NO.	DATE	REVISION	DESCRIPTION	DRAWN	CHK'D

<p>OWEN, LITTLE & ASSOCIATES, INC. Professional Engineer No. 2462708500 443 Atlantic City Blvd. Bridgeton, NJ 08302 Tel: 732-344-1392 Fax: 732-341-3412</p>	<p>FRANK J. LITTLE, JR. P.E., P.P.</p> <p>PROFESSIONAL ENGINEER N.J. LIC. NO. 2462708500 PROFESSIONAL PLANNER N.J. LIC. NO. 03096</p>	<p>NELSON AVENUE EXISTING CONDITIONS/ PROP. ALL INCLUSIVE PLAYGROUND LOT 6 BOROUGH OF BEACH HAVEN BLOCK 15</p>
	<p>OCEAN COUNTY</p>	<p>NEW JERSEY</p>

SCALE	DATE	DRAWN	CHK'D	APPROVED FOR CONSTRUCTION	SURVEY & BILLING NO.	DRAWING NO.
1"=10'	11/10/23	MM	FJL		19-104006	1